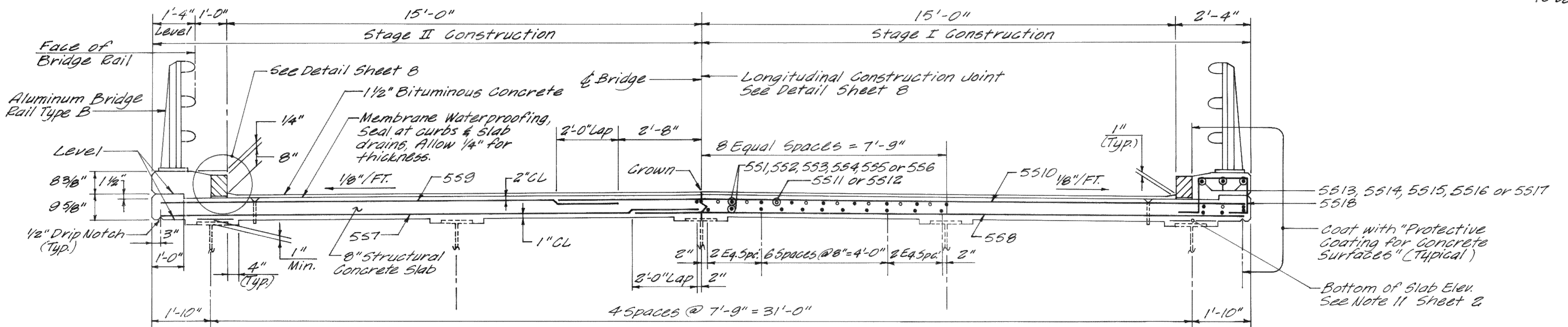
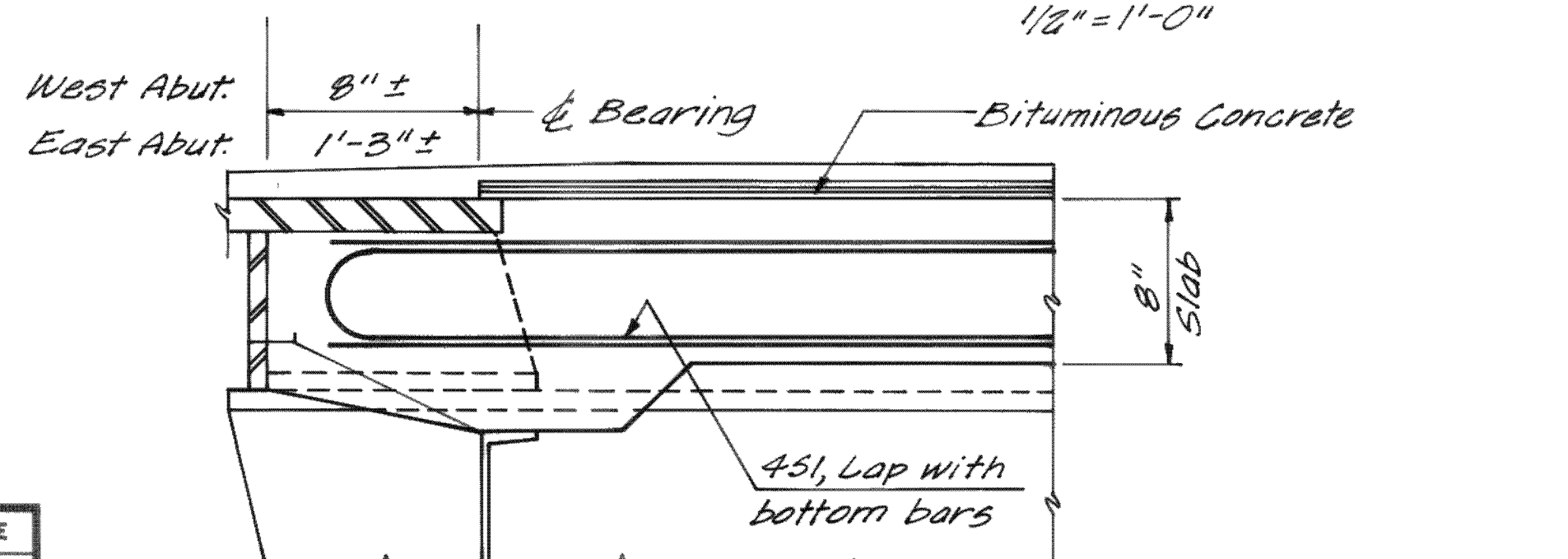


DECK PLAN
3/32" = 1'-0"

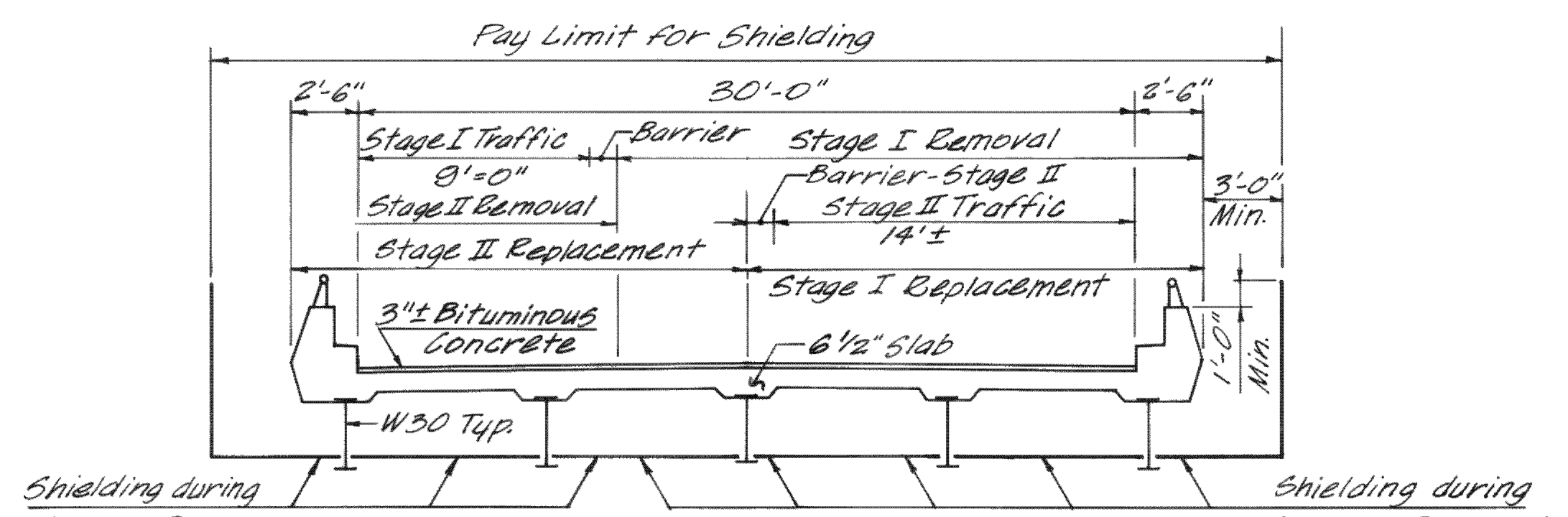
- NOTES:**
1. For General Notes & Quantities, see Sheet 2
 2. For Barrier Details, see Sheet 8
 3. For 1" V-Groove Details, see Sheet 8
 4. For Railing Details, see Sheet 10
 5. * Length of Last Section of Curbing to be field checked.



SECTION A-A
1/8" = 1'-0"



SECTION B-B
1 1/2" = 1'-0"



EXISTING DECK REMOVAL SEQUENCE
3/16" = 1'-0"

NO.	REVISION	BY	DATE	IN CHARGE OF
		BY	DATE	
	MADE	R.D.	12/01	
	TRACED			
	CHECKED	M.A.S.	12/01	
				J.P.W.

MAINE TURNPIKE AUTHORITY
MAINE TURNPIKE

GARDINER INTERCHANGE
DECK REPLACEMENT

HOWARD, NEEDLES, TAMMEN & BERGENDOFF
CONSULTING ENGINEERS
BOSTON

SCALE:
SHEET NO. 7 of 16