

**MAINE TURNPIKE AUTHORITY**

**ADDENDUM NO. 3**

**CONTRACT 2021.05**

**YORK TOLL PLAZA DEMOLITION**

**MILE 7.3**

The following changes are made to the Proposal, Plans and Specifications.

**PROPOSAL**

Proposal Sheet P-2 through P-12 is deleted and replaced. Changes made include modifying quantity of Item 202.205 Rumble Strips – Shoulder, Item 652.35 – Construction Signs, Item 629.05 – Hand Labor, Straight Time, Item 631.12 – All Purpose Excavator (Inc Operator), 631.36 – Foreperson, and Item 652.35 – Construction Signs. Item numbers in all P sheets modified to correct rounding issues.

**PLANS**

Plan Sheets 3, 5, 98, 146, all sheets are deleted and replaced in its entirety with attached revised sheets and changes noted on each sheet.

**SPECIFICATIONS**

Special Provision 202 Removing Asbestos Containing Materials, updated to correct reference to section 105. SP-23 deleted and replaced.

Special Provision 645 Highway Signing, added electrical work is incidental to remove and stack bridge mounted signs. SP-126 deleted and replaced.

**QUESTIONS**

The following are questions submitted to the Maine Turnpike Authority in writing. Answers to the questions are noted. Bidders shall utilize this information in preparing their bid.

1. Please identify items in tunnel expected to be salvaged.

**Answer: The equipment to be salvaged and delivered to the MTA by the contractor is identified on sheet 140 of the plans.**

2. The answer to question 23 in addendum 2 does not sufficiently answer the question. The new special provision 802 for the underdrained soil filters (page SP-175A) states that the 8” underdrain will be paid under it’s respective unit price. As stated in question 23 there is no item for 8” underdrain there is only an item for 8” underdrain outlet. 8” underdrain and 8” underdrain outlet are different. Based on the answer to question 4, and the fact that there is no 8” underdrain item, we will consider the 8” underdrain incidental to item 802.01 unless we hear differently.

**Answer: All 8” underdrain, including headers in USF’s is paid under 605.105 - 8 Inch Underdrain outlet.**

3. 107.4.6 Will the cost of all utilities and the cost of the use of the old amin building be covered by the MTA or contractor?

**Answer: The MTA will continue to pay the utilities for the existing administration building. The contractor will be responsible for any utility costs for their field offices and construction activities.**

4. How is the restoration of the sidewalk and stoop paid?

**Answer: The sidewalk and stoop will not be replaced. Aggregate will be placed to the grades shown on sheet 149 of 149 in Addendum 2.**

5. Is there asbestos damp proofing on the tunnel concrete?

**Answer: It is unknown if damp proofing on tunnel contains asbestos.**

## **ATTACHMENTS**

Proposal Sheets	(11 pages)
Plan Sheet	(4 pages)
Special Provisions	(2 pages)

**SCHEDULE OF BID PRICES  
CONTRACT 2021.05  
YORK TOLL PLAZA DEMOLITION AND MAINLINE RECONSTRUCTION  
MILE 7.3**

Item No.	Item Description	Units	Approx. Quantities	Unit Prices in Numbers		Bid Amount in Numbers	
				Dollars	Cents	Dollars	Cents
201.11	Clearing	AC	1				
202.071	Removing Asbestos Containing Materials	LS	1				
202.15	Removing Manhole or Catch Basin	EA	11				
202.151	Abandoning Existing Manhole or Catch Basin	EA	7				
202.16	Removing Existing Pipe	LF	310				
202.161	Abandoning Existing Pipe	LF	650				
202.202	Removing Pavement Surface	SY	52,000				
202.205	Rumble Strips - Shoulder	LF	53,000				
202.206	Remove Rumble Strips	LF	1,330				
203.2	Common Excavation	CY	44,000				
203.21	Rock Excavation	CY	400				
203.24	Common Borrow	CY	5,997				
<b>CARRIED FORWARD:</b>							

Item No.	Item Description	Units	Approx. Quantities	Unit Prices in Numbers		Bid Amount in Numbers	
				Dollars	Cents	Dollars	Cents
<b>BROUGHT FORWARD:</b>							
203.245	Clay Borrow	CY	45				
203.25	Granular Borrow	CY	409				
203.35	Crushed Stone Fill 3/4-Inch	CY	550				
206.071	Structural Rock Excavation - Pavement	CY	800				
304.1	Aggregate Subbase Course – Gravel	CY	18,750				
304.14	Aggregate Base Course - Type A	CY	5,950				
403.207	Hot Mix Asphalt, 19.0 mm Nominal Maximum Size	T	13,500				
403.2081	Hot Mix Asphalt - 12.5 mm Nominal Maximum Size (Polymer Modified)	T	6,100				
403.211	Hot Mix Asphalt (Shim)	T	4,500				
403.213	Hot Mix Asphalt 12.5 mm Nominal Maximum Size (Binder)	T	4,500				
409.15	Bituminous Tack Coat - Applied	G	4,350				
409.152	Bituminous Tack Coat NTSS-1HM Trackless - Applied	G	4,200				
419.3	Saw Cutting Bituminous Pavement	LF	17,700				
<b>CARRIED FORWARD:</b>							

Item No.	Item Description	Units	Approx. Quantities	Unit Prices in Numbers		Bid Amount in Numbers	
				Dollars	Cents	Dollars	Cents
<b>BROUGHT FORWARD:</b>							
502.234	Structural Concrete. Basement Closure Wall	CY	2				
503.12	Reinforcing Steel, Fabricated and Delivered	LB	400				
503.121	Reinforcing Steel, Placing	LB	400				
508.14	High Performance Membrane Waterproofing	LS	1				
511.091	Temporary Earth Support Systems	SY	100				
526.306	Temporary Concrete Barrier Type I - Supplied by the Authority	LS	1				
526.351	Median Barrier Type I -Precast	LF	2,700				
526.352	Median Barrier Type I - Supplied By MTA	LF	240				
526.361	Median Barrier Transition Type I - Precast	EA	2				
526.362	Median Barrier Transition Type I - Supplied By MTA	EA	1				
527.307	Center Barrier Crash Attenuator (Smart Cushion)	EA	3				
527.34	Work Zone Crash Cushions	UNIT	1				
527.341	Work Zone Crash Cushions - TL-3	UNIT	4				
<b>CARRIED FORWARD:</b>							

Item No.	Item Description	Units	Approx. Quantities	Unit Prices in Numbers		Bid Amount in Numbers	
				Dollars	Cents	Dollars	Cents
<b>BROUGHT FORWARD:</b>							
602.4	Pumped Grout Fill	CY	30				
603.159	12 Inch Culvert Pipe Option III	LF	150				
603.165	15 Inch Reinforced Concrete Pipe Class III	LF	680				
603.169	15 Inch Culvert Pipe Option III	LF	340				
603.175	18 Inch Reinforced Concrete Pipe Class III	LF	100				
604.09	Catch Basin Type B1	EA	9				
604.0901	Catch Basin Type B1 with Flat Top	EA	12				
604.1521	48 Inch Manhole Type 6 with Flat Top	EA	2				
604.1542	72 Inch Outlet Control Structure	EA	4				
604.1561	96 Inch Doghouse Manhole	EA	1				
604.161	Altering Catch Basin	EA	1				
604.182	Cleaning Existing Catch Basin and Manhole	EA	3				
605.09	6 Inch Underdrain Type B	LF	720				
<b>CARRIED FORWARD:</b>							

Item No.	Item Description	Units	Approx. Quantities	Unit Prices in Numbers		Bid Amount in Numbers	
				Dollars	Cents	Dollars	Cents
<b>BROUGHT FORWARD:</b>							
605.105	8 Inch Underdrain Outlet	LF	800				
606.1301	31" W-Bm Gr, Mid-Way Splice-Sgl Faced	LF	1,450				
606.1305	31" W-Bm Gr, Md-Wy Splice Flared Term	EA	1				
606.1351	31" W-Bm Gr, Mid-Way Splice Terminal End-Anchored End	EA	1				
606.1724	Bridge Transition - Type III Modified	EA	2				
606.352	Reflectorized Beam Guardrail Delineator	EA	2				
606.353	Reflectorized Flexible Guardrail Marker	EA	3				
606.356	Underdrain Delineator Post	EA	43				
606.3561	Delineator Post - Remove and Reset	EA	50				
606.3562	Delineator Post - Remove and Stack	EA	31				
606.3611	Guardrail - Remove, Modify, and Reset Thrie Beam, Double Rail	LF	25				
606.3631	Guardrail - Remove and Stack or Dispose	LF	4,810				
606.48	Single Galvanized Steel Post	EA	2				
<b>CARRIED FORWARD:</b>							

Item No.	Item Description	Units	Approx. Quantities	Unit Prices in Numbers		Bid Amount in Numbers	
				Dollars	Cents	Dollars	Cents
<b>BROUGHT FORWARD:</b>							
606.64	Gr - Thrie Beam - Dbl Rail	LF	638				
606.65	Gr - Thrie Beam - Sgl Rail	LF	525				
606.754	Widen Shoulder for Energy Absorbing End Terminal	EA	1				
610.08	Plain Riprap	CY	200				
610.181	Temporary Stone Check Dam	CY	150				
610.182	Permanent Stone Check Dam	CY	8				
615.07	Loam	CY	7,700				
618.14	Seeding Method Number 2	UN	420				
619.1201	Mulch	UN	420				
619.1202	Temporary Mulch	LS	1				
620.56	Drainage Geotextile	SY	300				
620.58	Erosion Control Geotextile	SY	10,500				
626.122	Quazite Junction Box (18"x11")	EA	14				
<b>CARRIED FORWARD:</b>							



Item No.	Item Description	Units	Approx. Quantities	Unit Prices in Numbers		Bid Amount in Numbers	
				Dollars	Cents	Dollars	Cents
<b>BROUGHT FORWARD:</b>							
626.22	Non-Metallic Conduit	LF	3,100				
626.341	Light Standard Foundation	EA	11				
627.18	12" Solid White Pavement Marking	LF	1,200				
627.4072	Pref Pave Mark Tape Line, Groove Install	SF	725				
627.681	Temporary 6 Inch Painted Pavement Marking Line -Yellow or White	LF	145,000				
627.73	Temporary 6 Inch Pavement Marking Tape	LF	1,800				
627.731	Temporary 6 Inch Black Pavement Marking Tape	LF	2,000				
627.744	6" White or Yellow Painted Pavement Marking Line	LF	26,600				
627.745	6" White Or Yellow Polyurea Pavement Mrl Line	LF	5,000				
627.77	Remove Existing Pavement Marking	SF	3,400				
627.812	Temporary Raised Pavement Markers	EA	300				
627.94	Pavement Marking Tape	LF	1,250				
627.941	Pavement Marking Tape - Dotted White Lane Line, 6-Inch Width	LF	110				
<b>CARRIED FORWARD:</b>							

Item No.	Item Description	Units	Approx. Quantities	Unit Prices in Numbers		Bid Amount in Numbers	
				Dollars	Cents	Dollars	Cents
<b>BROUGHT FORWARD:</b>							
629.05	Hand Labor, Straight Time	HR	40				
631.1	Air Compressor (Inc Operator)	HR	20				
631.11	Air Tool (Inc Operator)	HR	20				
631.115	Jackhammer (Inc Operator)	HR	20				
631.12	All Purpose Excavator (Inc Operator)	HR	40				
631.171	Truck - Small (Including Operator)	HR	20				
631.18	Chain Saw Rental (Inc Operator)	HR	20				
631.32	Culvert Cleaner (Inc Operator)	HR	20				
631.36	Foreperson	HR	40				
631.51	Bucket Truck	HR	20				
631.52	Scissor Lift	HR	20				
631.53	Electrician	HR	20				
631.54	Electrician's Apprentice	HR	20				
<b>CARRIED FORWARD:</b>							

Item No.	Item Description	Units	Approx. Quantities	Unit Prices in Numbers		Bid Amount in Numbers	
				Dollars	Cents	Dollars	Cents
<b>BROUGHT FORWARD:</b>							
634.16	Highway Lighting	LS	1				
634.2042	LED Luminaries	EA	2				
634.2082	Remove Existing Light Standard	EA	31				
634.21	Conventional Light Standard	EA	2				
643.63	Flashing Beacon - Solar Powered	EA	5				
645.1051	Remove and Stack Ground Mount Guide Sign and Structure	EA	18				
645.1052	Remove and Stack Overhead or Cantilever Guide Sign and Structure	EA	2				
645.107	Remove and Discard Canopy Mounted Sign	EA	12				
645.1071	Remove and Discard Canopy Mounted Dynamic Message Sign	EA	1				
645.109	Remove and Reset Highway Signs	EA	5				
645.1099	Remove and Dispose Sign	EA	70				
645.251	Roadside Guide Signs, Type I	SF	650				
645.271	Regulatory, Warning, Confirmation and Route Assembly Sign, Type I	SF	102				
<b>CARRIED FORWARD:</b>							

Item No.	Item Description	Units	Approx. Quantities	Unit Prices in Numbers		Bid Amount in Numbers	
				Dollars	Cents	Dollars	Cents
<b>BROUGHT FORWARD:</b>							
645.28	Wood Post	EA	5				
645.289	Steel H-Beam Poles	LB	6,150				
652.3	Flashing Arrow Board	EA	6				
652.312	Type III Barricade	EA	10				
652.33	Drum	EA	400				
652.34	Cone	EA	200				
652.35	Construction Signs	SF	1,700				
652.351	Construction Signs - Supplied By Authority	LS	1				
652.361	Maintenance of Traffic Control Devices	LS	1				
652.39	Portable Light Tower	EA	2				
652.41	Portable-Changeable Message Sign	EA	3				
652.45	Truck Mounted Attenuator	CD	200				
652.451	Automated Trailer Mounted Speed Limit Sign	EA	2				
<b>CARRIED FORWARD:</b>							

Item No.	Item Description	Units	Approx. Quantities	Unit Prices in Numbers		Bid Amount in Numbers	
				Dollars	Cents	Dollars	Cents
<b>BROUGHT FORWARD:</b>							
652.47	Sequential Flashing Warning Light	EA	30				
656.5	Baled Hay, In Place	EA	50				
656.632	30" Temporary Silt Fence	LF	12,000				
659.1	Mobilization	LS	1				
800.311	Toll Plaza and Tunnel Demolition	LS	1				
801.03	Test Pits	EA	8				
802.02	Construct Underdrained Soil Filters	LS	1				
<b>TOTAL:</b>							



Date: 7/15/2021

Filename: ...0477976.003\_Estimate\_01.dgn

Item No.	Item Description	Unit	Quantity
201.11	Clearing	AC	1
202.071	Removing Asbestos Containing Materials	LS	1
202.15	Removing Manhole or Catch Basin	EA	11
202.151	Abandoning Existing Manhole or Catch Basin	EA	7
202.16	Removing Existing Pipe	LF	310
202.161	Abandoning Existing Pipe	LF	650
202.202	Removing Pavement Surface	SY	52,000
202.205	Rumble Strips - Shoulder	LF	53,000
202.206	Removing Rumble Strips	LF	1,330
203.2	Common Excavation	CY	44,000
203.21	Rock Excavation	CY	400
203.24	Common Borrow	CY	5,997
203.245	Clay Borrow	CY	45
203.25	Granular Borrow	CY	409
203.35	Crushed Stone Fill 3/4-Inch	CY	550
206.071	Structural Rock Excavation - Pavement	CY	800
304.1	Aggregate Subbase Course - Gravel	CY	18,750
304.14	Aggregate Base Course - Type A	CY	5,950
403.207	Hot Mix Asphalt, 19.0 mm Nominal Maximum Size	T	13,500
403.208	Hot Mix Asphalt, 12.5 mm Nominal Maximum Size (Polymer Modified)	T	6,100
403.211	Hot Mix Asphalt (Shim)	T	4,500
403.213	Hot Mix Asphalt 12.5 mm Nominal Maximum Size (Binder)	T	4,500
409.15	Bituminous Tack Coat - Applied	G	4,350
409.152	Bituminous Tack Coat NTSS-1HM Trackless - Applied	G	4,350
419.3	Saw Cutting Bituminous Pavement	LF	17,700
502.234	Structural Concrete, Basement Closure Wall	CY	2
503.12	Reinforcing Steel, Fabricated and Delivered	LB	400
503.121	Reinforcing Steel, Placing	LB	400
508.14	High Performance Membrane Waterproofing	LS	1
511.091	Temporary Earth Support Systems	SY	100
526.306	Temporary Concrete Barrier Type I - Supplied by the Authority	LS	1
526.351	Median Barrier Type I - Precast	LF	2,700
526.352	Median Barrier Type I - Supplied By MTA	LF	240
526.361	Median Barrier Transition Type I - Precast	EA	2
526.362	Median Barrier Transition Type I - Supplied By MTA	EA	2
527.307	Center Barrier Crash Attenuator (Smart Cushion)	EA	3
527.34	Work Zone Crash Cushions	UNIT	1
527.341	Work Zone Crash Cushions - TL-3	UNIT	4
602.4	Pumped Grout Fill	CY	30
603.159	12 Inch Culvert Pipe Option III	LF	150
603.165	15 Inch Reinforced Concrete Pipe Class III	LF	680
603.169	15 Inch Culvert Pipe Option III	LF	340
603.175	18 Inch Reinforced Concrete Pipe Class III	LF	100
604.09	Catch Basin Type B1	EA	9
604.0901	Catch Basin Type B1 with Flat Top	EA	12
604.1521	48 Inch Manhole Type 6 with Flat Top	EA	2
604.1542	72 Inch Outlet Control Structure	EA	4
604.1561	96 Inch Doghouse Manhole	EA	1
604.161	Altering Catch Basin	EA	1
604.182	Cleaning Existing Catch Basin and Manhole	EA	3
605.09	6 Inch Underdrain Type B	LF	720
605.105	8 Inch Underdrain Outlet	LF	800
606.1301	31" W-Bm Gr, Mid-Way Splice-Sgl Faced	LF	1,450
606.1305	31" W-Bm Gr, Md-Wy Splic Flared Term	EA	1
606.1351	31" W-Bm Gr, Mid-Way Splice Terminal End-Anchored End	EA	1
606.1724	Bridge Transition - Type III Modified	EA	2
606.352	Reflectorized Beam Guardrail Delineator	EA	2
606.353	Reflectorized Flexible Guardrail Marker	EA	3
606.356	Underdrain Delineator Post	EA	43
606.3561	Delineator Post - Remove and Reset	EA	50
606.3562	Delineator Post - Remove and Stack	EA	31
606.3611	Guardrail - Remove, Modify, and Reset Thrie Beam, Double Rail	LF	25
606.3631	Guardrail - Remove and Stack or Dispose	LF	4,810
606.48	Single Galvanized Steel Post	EA	2


Item No.	Item Description	Unit	Quantity
606.64	Gr - Thrie Beam - Dbl Rail	LF	637.5
606.65	Gr - Thrie Beam - Sgl Rail	LF	525
606.754	Widen Shoulder for Energy Absorbing End Terminal	EA	1
610.08	Plain Riprap	CY	200
610.181	Temporary Stone Check Dam	CY	150
610.182	Permanent Stone Check Dam	CY	8
615.07	Loam	CY	7,700
618.14	Seeding Method Number 2	UN	420
619.1201	Mulch	UN	420
619.1202	Temporary Mulch	LS	1
620.56	Drainage Geotextile	SY	300
620.58	Erosion Control Geotextile	SY	10,500
626.122	Quazite Junction Box (18"x11")	EA	14
626.22	Non-Metallic Conduit	LF	3,100
626.341	Light Standard Foundation	EA	11
627.18	12" Solid White Pavement Marking	LF	1,200
627.4072	Pref Pave Mark Tape Line, Groove Install	SF	725
627.681	Temporary 6 Inch Painted Pavement Marking Line -Yellow or White	LF	145,000
627.73	Temporary 6 Inch Pavement Marking Tape	LF	1,800
627.731	Temporary 6 Inch Black Pavement Marking Tape	LF	2,000
627.744	6" White or Yellow Painted Pavement Marking Line	LF	26,600
627.745	6" White Or Yellow Polyurea Pavement Mrl Line	LF	5,000
627.77	Remove Existing Pavement Marking	SF	3,400
627.812	Temporary Raised Pavement Markers	EA	300
627.94	Pavement Marking Tape	LF	1,250
627.941	Pavement Marking Tape - Dotted White Lane Line, 6-Inch Width	LF	110
629.05	Hand Labor, Straight Time	HR	40
631.1	Air Compressor (Inc Operator)	HR	20
631.11	Air Tool (Inc Operator)	HR	20
631.115	Jackhammer (Inc Operator)	HR	20
631.12	All Purpose Excavator (Inc Operator)	HR	40
631.171	Truck - Small (Including Operator)	HR	20
631.18	Chain Saw Rental (Inc Operator)	HR	20
631.32	Culvert Cleaner (Inc Operator)	HR	20
631.36	Foreperson	HR	40
631.51	Bucket Truck	HR	20
631.52	Scissor Lift	HR	20
631.53	Electrician	HR	20
631.54	Electrician's Apprentice	HR	20
634.16	Highway Lighting	LS	1
634.2042	LED Luminaries	EA	2
634.2082	Remove Existing Light Standard	EA	31
634.21	Conventional Light Standard	EA	2
643.09	Flashing Beacon - Solar Powered	EA	5
645.1051	Remove and Stack Ground Mount Guide Sign and Structure	EA	18
645.1052	Remove and Stack Overhead or Cantilever Guide Sign and Structure	EA	2
645.107	Remove and Discard Canopy Mounted Sign	EA	12
645.1071	Remove and Discard Canopy Mounted Dynamic Message Sign	EA	1
645.109	Remove and Reset Highway Signs	EA	5
645.1099	Remove and Dispose Sign	EA	70
645.251	Roadside Guide Signs, Type I	SF	650
645.271	Regulatory, Warning, Confirmation and Route Assembly Sign, Type I	SF	102
645.28	Wood Post	EA	5
645.289	Steel H-Beam Poles	LB	6,150
652.3	Flashing Arrow Board	EA	6
652.312	Type III Barricade	EA	10
652.33	Drum	EA	400
652.34	Cone	EA	200
652.35	Construction Signs	SF	1,700
652.351	Construction Signs-Supplied by Authority	LS	1
652.361	Maintenance of Traffic Control Devices	LS	1
652.39	Portable Light Tower	EA	2

Item No.	Item Description	Unit	Quantity
652.41	Portable-Changeable Message Sign	EA	3
652.45	Truck Mounted Attenuator	CD	200
652.451	Automated Trailer Mounted Speed Limit Sign	EA	2
652.47	Sequential Flashing Warning Light	EA	30
656.5	Baled Hay, In Place	EA	50
656.632	30" Temporary Silt Fence	LF	12,000
659.1	Mobilization	LS	1
800.311	Toll Plaza and Tunnel Demolition	LS	1
801.03	Test Pits	EA	8
802.01	Construct Underdrained Soil Filters	LS	1

Scale: NO SCALE

No.	Revision	By	Date
1	ADDENDUM 2	CSM	7/21
2	ADDENDUM 3	CSM	7/21


Designed by:



CONSULTANT PROJECT MANAGER: T. MORIN

By	Date	By	Date
Designed	CSM 06-21	Checked	RRP 06-21
Drawn	AMS 06-21	In Charge of	TWM 06-21

JACOBS ENGINEERING GROUP  
 120 ST. JAMES AVENUE  
 BOSTON, MA 02116  
 TEL (617) 242-9222  
 FAX (617) 242-9824



THE GOLD STAR  
MEMORIAL HIGHWAY

MTA PROJECT MANAGER: R. NORWOOD

YORK TOLL PLAZA DEMOLITION

ESTIMATED QUANTITIES 1

SHEET NUMBER: QN-01

CONTRACT:2021.05

3 OF 149



DRAINAGE

- NO EXISTING DRAINAGE SHALL BE ABANDONED, REMOVED OR PLUGGED WITHOUT PRIOR APPROVAL OF THE RESIDENT.
- INLETS AND OUTLETS OF ALL CULVERTS SHALL BE RIPRAPPED UNLESS OTHERWISE NOTED ON THE PLANS OR DIRECTED BY THE RESIDENT.
- ALL DITCH ELEVATIONS AND OFFSETS SHOWN ON THE CROSS SECTIONS ARE FOR THE FINISHED DITCH FLOW LINE.
- ANY NECESSARY CUTTING OF EXISTING PIPES TO FIT IN AREAS OF PROPOSED CATCH BASINS AND MANHOLES WILL NOT BE PAID FOR SEPARATELY, BUT SHALL BE INCIDENTAL TO THE PROPOSED CATCH BASIN AND MANHOLE ITEMS.
- ANY NECESSARY CORING OF EXISTING CATCH BASINS TO TAKE A PROPOSED PIPE WILL NOT BE PAID FOR SEPARATELY AND SHALL BE INCIDENTAL TO THE PROPOSED CULVERT ITEMS.
- EXISTING CATCH BASINS TO REMAIN SHALL BE CLEANED AS DIRECTED BY THE RESIDENT. PAYMENT WILL BE MADE UNDER ITEM 604.182 CLEANING EXSTING CATCH BASIN AND MANHOLE. EXSTING CULVERTS TO REMAIN SHALL BE CLEANED AS DIRECTED BY THE RESIDENT UNDER ITEM 631.32 CULVERT CLEANER (INCLUDING OPERATOR). POST CONSTRUCTION, ALL EXISTING DRAINAGE TO REMAIN AND NEW DRAINAGE SHALL BE CLEANED AS DIRECTED BY THE RESIDENT UNDER ITEM 631.32 CULVERT CLEANER (INCLUDING OPERATOR).
- ALL NEW CATCH BASIN GRATES SHALL BE AS MANUFACTURED BY EJ COMPANY OF BROCKTON, MA.
- CORRUGATED METAL PIPE (CMP) WILL NOT BE INSTALLED.
- ONE GREEN DELINEATOR POST SHALL BE INSTALLED AT ALL STORM DRAIN OUTLETS.

EARTHWORK

- CLEARING LIMIT LINES ARE SHOWN ON THE PLANS 10' BEYOND AND PARALLEL TO THE CONSTRUCTION SLOPE LINES, EXCEPT IN WETLAND AREAS.
- EXCAVATIONS ACCOMPLISHED AS PART OF THIS PROJECT SHALL BE CONSTRUCTED IN ACCORDANCE WITH OSHA SUBPART P OF 29 CFR PART 1926.650-652 (CONSTRUCTION STANDARDS FOR EXCAVATION).
- AN OVERBURDEN DEPTH IS ASSUMED, BASED ON TEST PITS AND SUBSURFACE INVESTIGATION, FOR USE IN ESTIMATING ROCK EXCAVATION AND ESTIMATING CLEARING LIMITS WHERE ROCK OUTCROPS ARE PRESENT. SOME ROCK PROBES WERE CONDUCTED IN THESE AREAS TO VERIFY OR DETERMINE DEPTH OF EXISTING OVERBURDEN TO THE EXTENT PRACTICAL. ACTUAL ROCK EXCAVATION AND CLEARING LIMITS MAY CHANGE FROM WHAT IS SHOWN ON PLANS.
- THE CONTRACTOR SHALL REMOVE EXISTING MACADAM AND PAVEMENT WHEN ENCOUNTERED AND SHALL BE PAID FOR AS COMMON EXCAVATION ITEM 203.20.
- GRANULAR BORROW SHALL MEET REQUIREMENTS FOR GRANULAR BORROW UNDERWATER BACKFILL.
- WASTE MATERIALS SHALL BE DISPOSED OF OFF THE PROJECT SITE, IN ACCORDANCE WITH CHAPTER 404 OF THE DEP SOLID WASTE MANAGEMENT RULES.
- THE NORMAL GRUBBING WIDTH IN THE FILLS SHALL BE VARIABLE WHEN SUBGRADE IS LESS THAN 5' ABOVE OLD GROUND. THE GRUBBING DEPTH HAS BEEN ESTIMATED AS 6' IN FIELD AREAS AND 12' IN WOODED AREAS.
- COMMON BORROW SHALL BE COMPACTED TO 92% OF ITS MAXIMUM DRY DENSITY AS DETERMINED BY THE MODIFIED PROCTOR. GRANULAR BORROW SHALL BE COMPACTED TO 95% OF ITS MAXIMUM DRY DENSITY AS DETERMINED BY THE MODIFIED PROCTOR. AGGREGATE SHALL BE COMPACTED TO 98% OF ITS MAXIMUM DRY DENSITY AS DETERMINED BY THE MODIFIED PROCTOR.
- BORROW PLACED WITH CONTROLLED MOISTURE SHALL BE COMPACTED TO NOT LESS THAN 95% OF THE MAXIMUM DENSITY AS DETERMINED BY THE MODIFIED PROCTOR.

MAINTENANCE OF TRAFFIC

- EXISTING TOLL PLAZA TO REMAIN OPERATIONAL UNTIL NEW PLAZA IS COMMISSIONED AND FULLY OPERATIONAL.
- THREE NORTHBOUND AND THREE SOUTHBOUND LANES TO REMAIN OPEN EXCEPT AS ALLOWED BY SPECIAL PROVISION 652.
- REFER TO SPECIFICATIONS FOR COMPLETION DATES.
- MAINTENANCE OF TRAFFIC IS REQUIRED FOR CONSTRUCTION OF RUMBLE STRIPS FROM STA. 295+00 (MILE 7.9) TO STA. 384+00 (MILE 9.6) BOTH NORTHBOUND AND SOUTHBOUND AND IS INCIDENTAL TO ITEM 652.361 MAINTENANCE OF TRAFFIC CONTROL DEVICES.

COMMON EXCAVATION FOR ESTIMATE

COMMON EXCAVATION (FROM CROSS SECTIONS)	37,750
COMMON EXCAVATION (NOT IN CROSS SECTIONS)	179
COMMON EXCAVATION (FOR USF BASINS)	6,300
GRUBBING IN FILL	249
CULVERT INLET AND OUTLET DITCHES	0
MAINTENANCE OF TRAFFIC	500
STRUCTURAL ROCK EXCAVATION-PAVEMENT (REMOVE)	800
BOULDERS (REMOVE)	378
TOTAL COMMON EXCAVATION	43,801
	SAY 44,000

FILL FOR BORROW CALCULATIONS

COMMON FILL (FROM CROSS SECTIONS)	148
COMMON FILL (FOR USF BASINS)	5,050
GRUBBING IN FILL	249
FILL IN TUNNEL	500
TOTAL FILL	5,947
	SAY 5,997

ROCK EXCAVATION FOR ESTIMATE

ROCK EXCAVATION (BOULDERS)	378
ROCK EXCAVATION (MINOR STRUCTURAL/DRAINAGE)	0
TOTAL ROCK EXCAVATION	378
	SAY 400

AVAILABLE COMMON EXCAVATION FOR BORROW CALCULATIONS

(1) TOTAL COMMON EXCAVATION	43,801
DEDUCTIONS:	
GRUBBING IN FILL	249
(2) TOTAL DEDUCTIONS	249
TOTAL AVAILABLE COMMON EXCAVATION (1) MINUS (2)	43,552
TOTAL AVAILABLE NON-ROCK EXCAVATION	43,552

COMPUTATION OF GRANULAR BORROW FOR ESTIMATE

GRANULAR BORROW (NOT IN CROSS SECTIONS)	179
GRANULAR BORROW TO MAINTAIN TRAFFIC	200
GRANULAR BORROW =	200 x 1.15 = 230
	409

COMPUTATION FOR COMMON BORROW FOR ESTIMATE

(3) TOTAL FILL	5,947
TOTAL AVAIL. NON-ROCK EXCAV.	43,552 x 0.85 = 37,019
TOTAL AVAIL. ROCK EXCAV.	378 x 1.33 = 503
TOTAL AVAIL. STR. ROCK EXCAV.	800 x 1.33 = 1,064
(4) TOTAL AVAILABLE EXCAVATION	38,586
BORROW NEEDED = TOTAL FILL MINUS TOTAL AVAILABLE EXCAVATION	-32,639
(4) - (3) SURPLUS MATERIAL =	32,639


Date: 7/15/2021

Filename: ...00477976\005\_Notes\_General.dgn

Scale: NO SCALE			
No.	Revision	By	Date
1	ADDENDUM 2	CSM	7/21
2	ADD MOT FOR RUMBLE STRIPS ADD. 3	CSM	7/21

Designed by:			
<b>JACOBS</b>			
CONSULTANT PROJECT MANAGER: T. MORIN			
	By	Date	
Designed	CSM	06-21	Checked RRP 06-21
Drawn	AMS	06-21	In Charge of TWMM 06-21

JACOBS ENGINEERING GROUP  
120 ST. JAMES AVENUE  
BOSTON, MA 02116  
TEL (617) 242-9222  
FAX (617) 242-9824



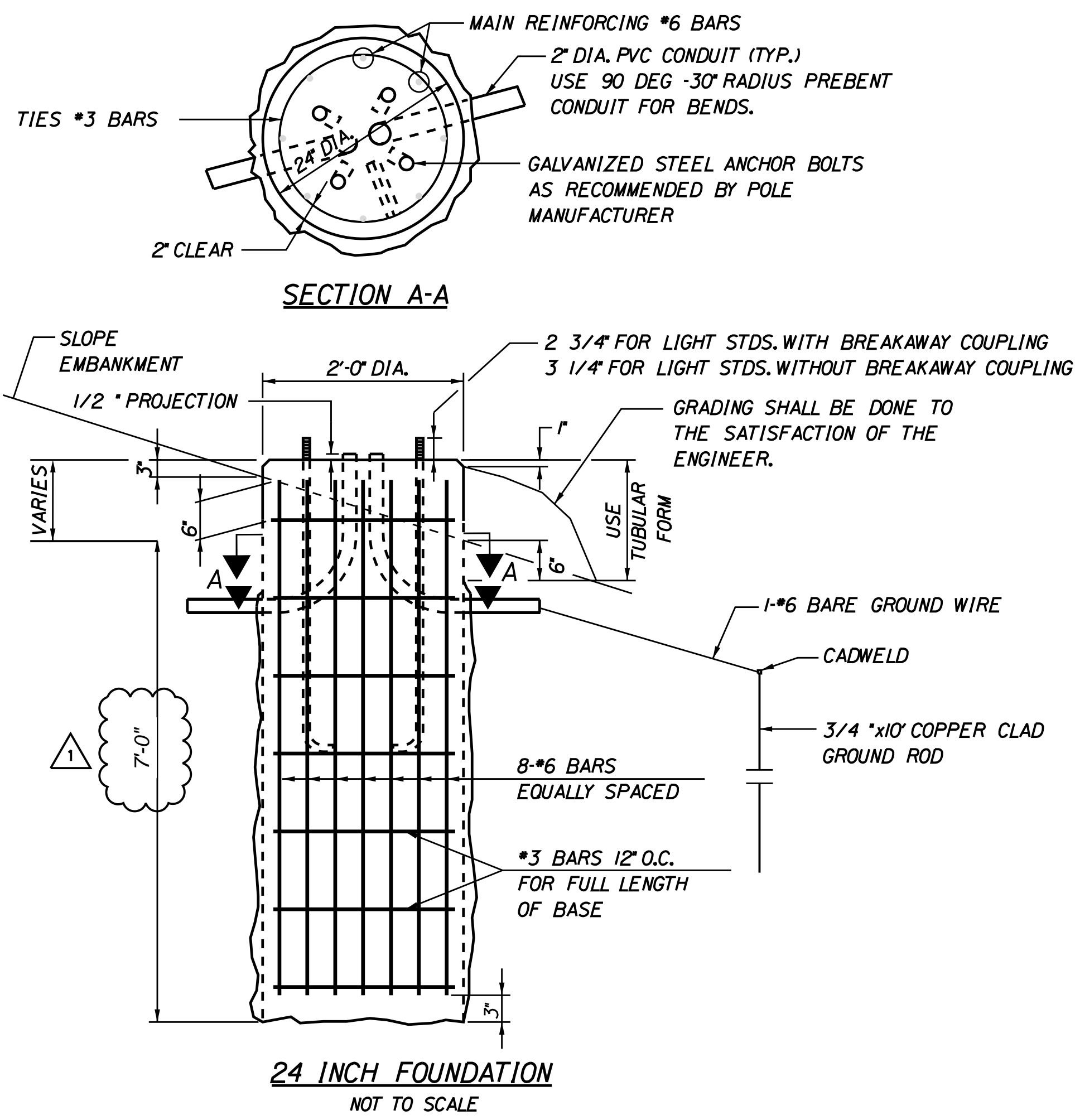
**THE GOLD STAR  
MEMORIAL HIGHWAY**

MTA PROJECT MANAGER: R. NORWOOD

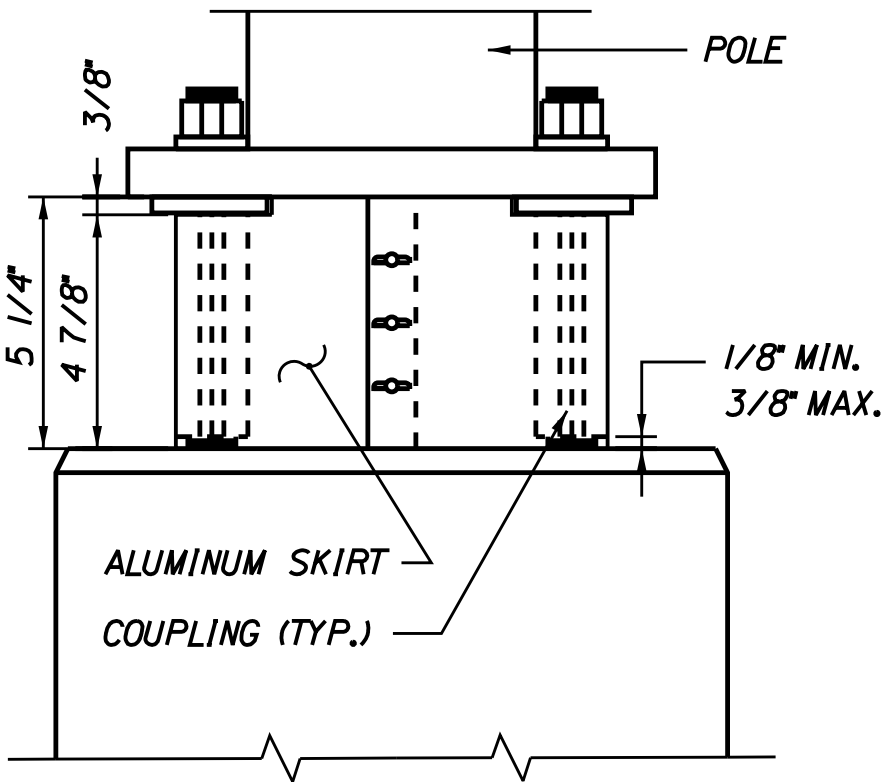
YORK TOLL PLAZA DEMOLITION  
GENERAL NOTES 2 &  
EARTHWORK SUMMARY  
SHEET NUMBER: GN-02  
CONTRACT: 2021.05  
5 OF 149



Date: 7/15/2021

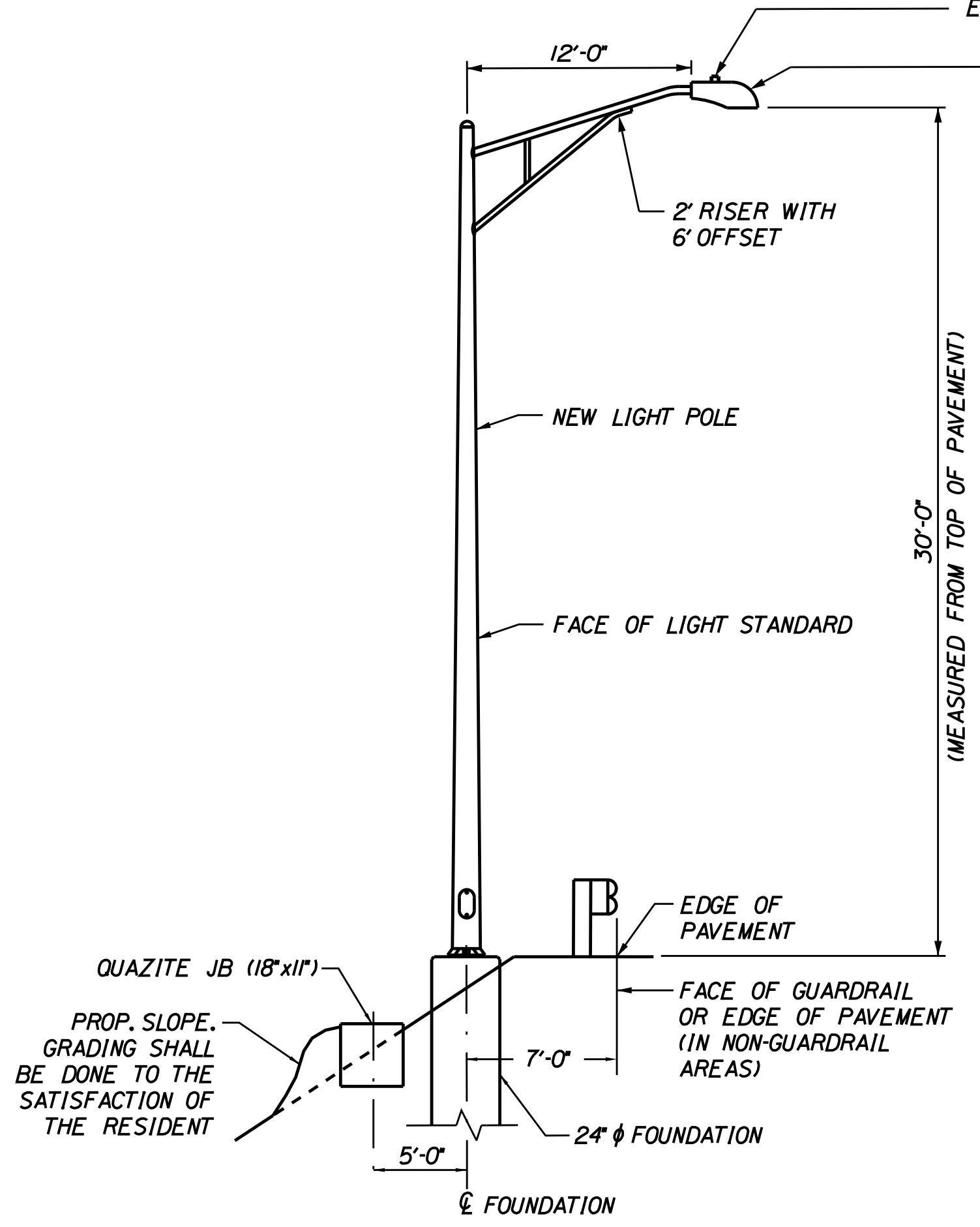


NOTES:  
 1. WHERE SOLID ROCK IS ENCOUNTERED AT LESS THAN THE REQUIRED DISTANCE BELOW GROUND LEVEL, REINFORCING STEEL SHALL BE DOWELED INTO LEDGE AS SHOWN ON MAINE DOT STANDARD DETAIL 626(06). PAYMENT SHALL BE INCIDENTAL TO THE FOUNDATION PAY ITEM.

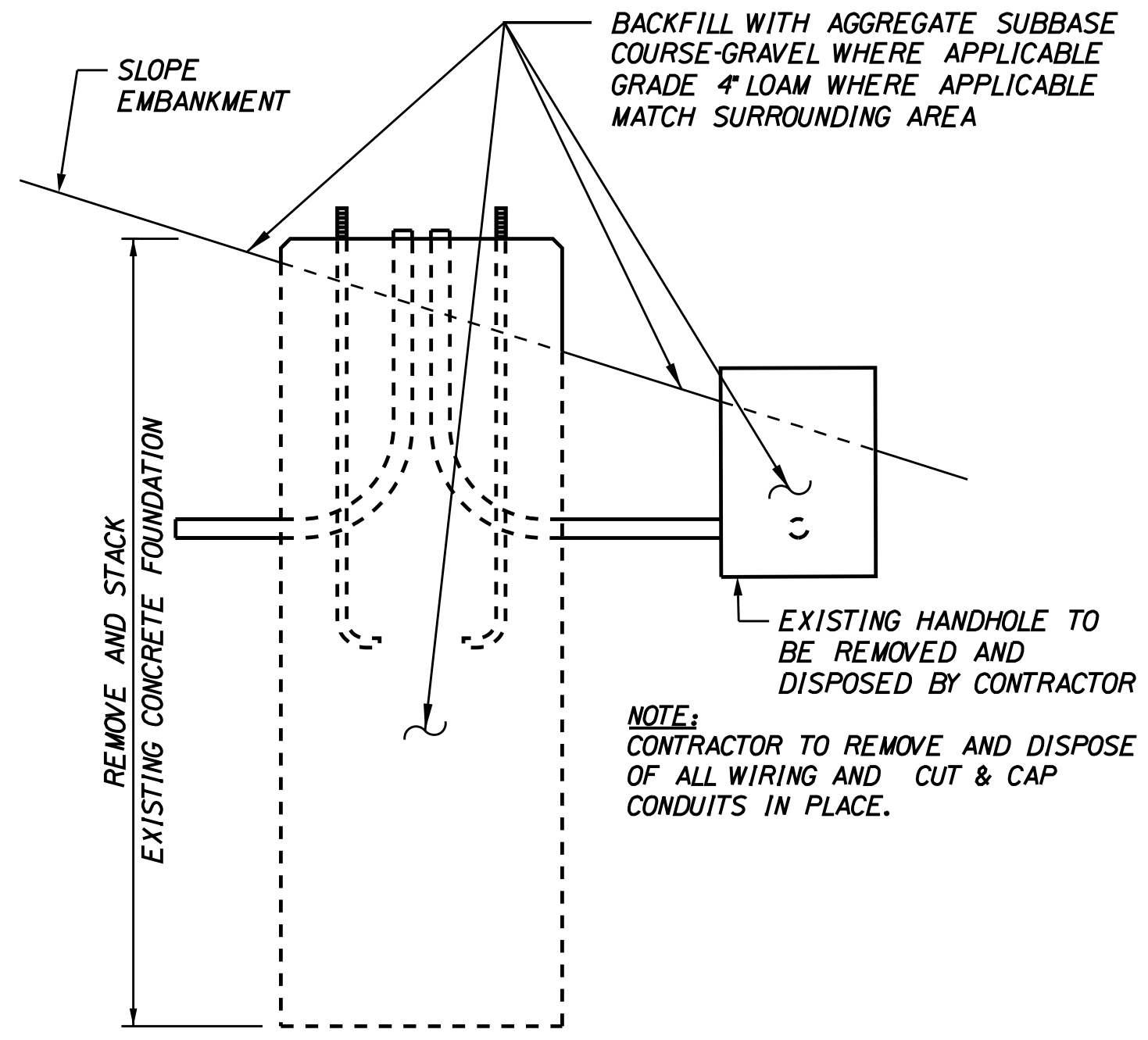


**BREAKAWAY COUPLINGS AND SKIRT DETAIL**  
 NOT TO SCALE

\* BREAKAWAY COUPLINGS SHALL BE REQUIRED ON ALL NEW LIGHT STANDARDS

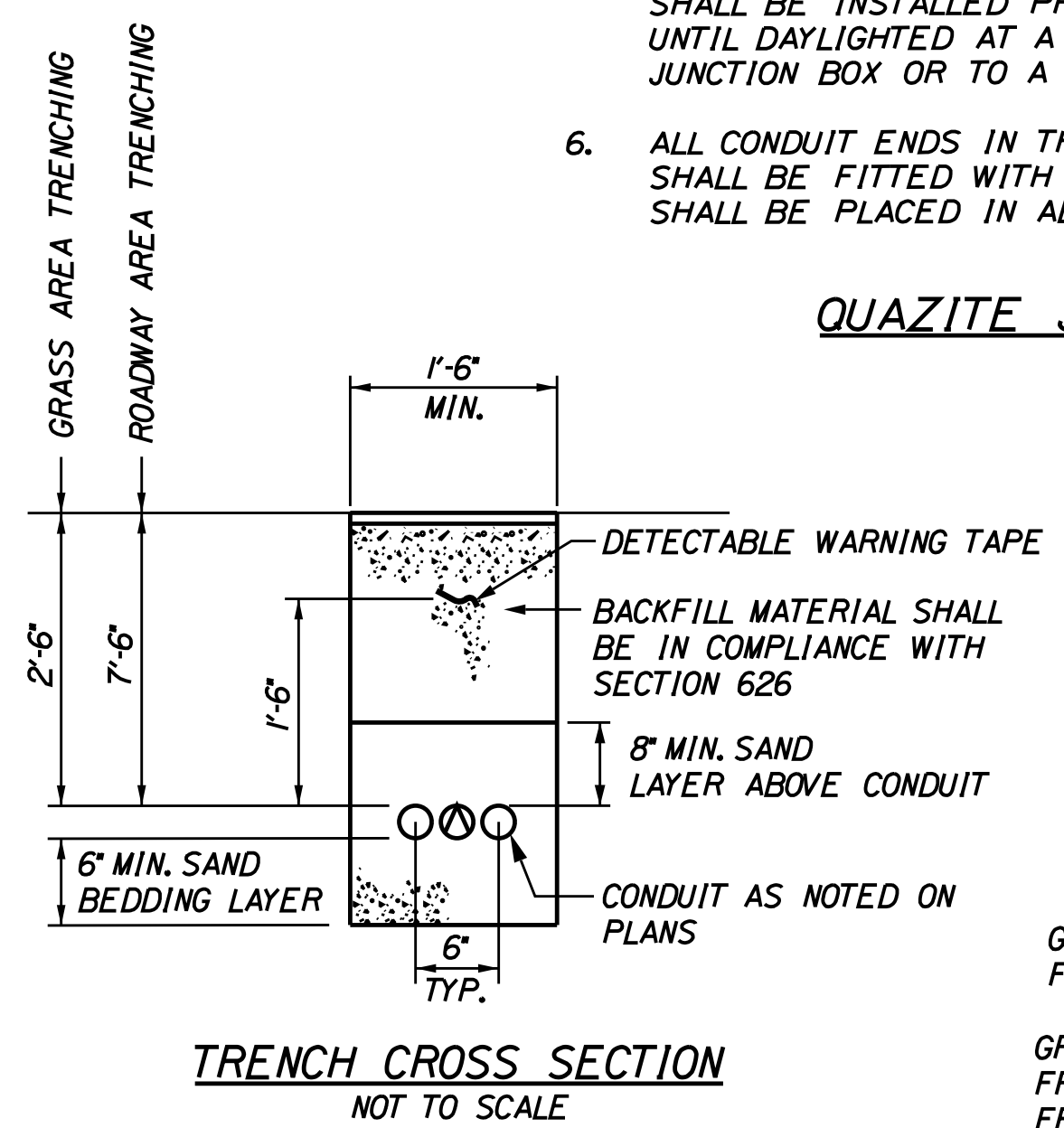


**PLACEMENT OF LIGHT STANDARD**  
 NO SCALE

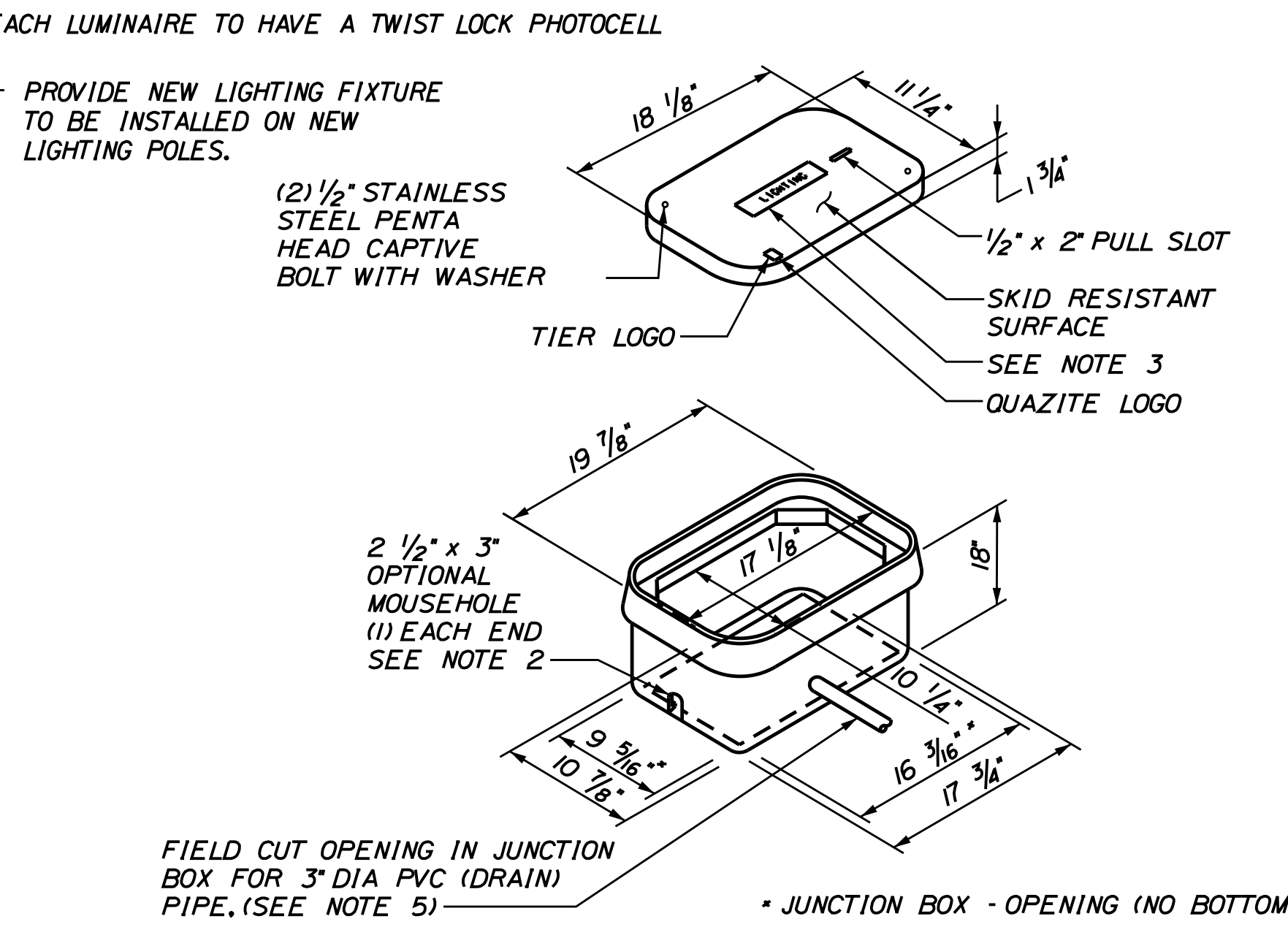


**REMOVAL OF CONCRETE FOUNDATION**  
 NOT TO SCALE

EXISTING LIGHT DEMOLITION SCHEDULE			
ROADWAY DESIGNATION	STATION		
ROADWAY TRENCHING NB ROADWAY	253-25		
	254-75		
	256-30		
	258-90		
	260-60		
	261-60		
	262-50		
	263-90		
	265-75		
	267-30		
	268-90		
	270-60		
ROADWAY TRENCHING NB/PARKING LOT LIGHT NB/PARKING LOT LIGHT	272-35		
	272-40		
	274-25		
	276-25		
	TRENCHING SB ON-RAMP	506-20	
		TRENCHING SB ROADWAY	255-70
			257-70
			259-50
			261-20
			262-65
			264-15
			265-75
267-30			
268-95			
271-00			
273-45			
275-45			

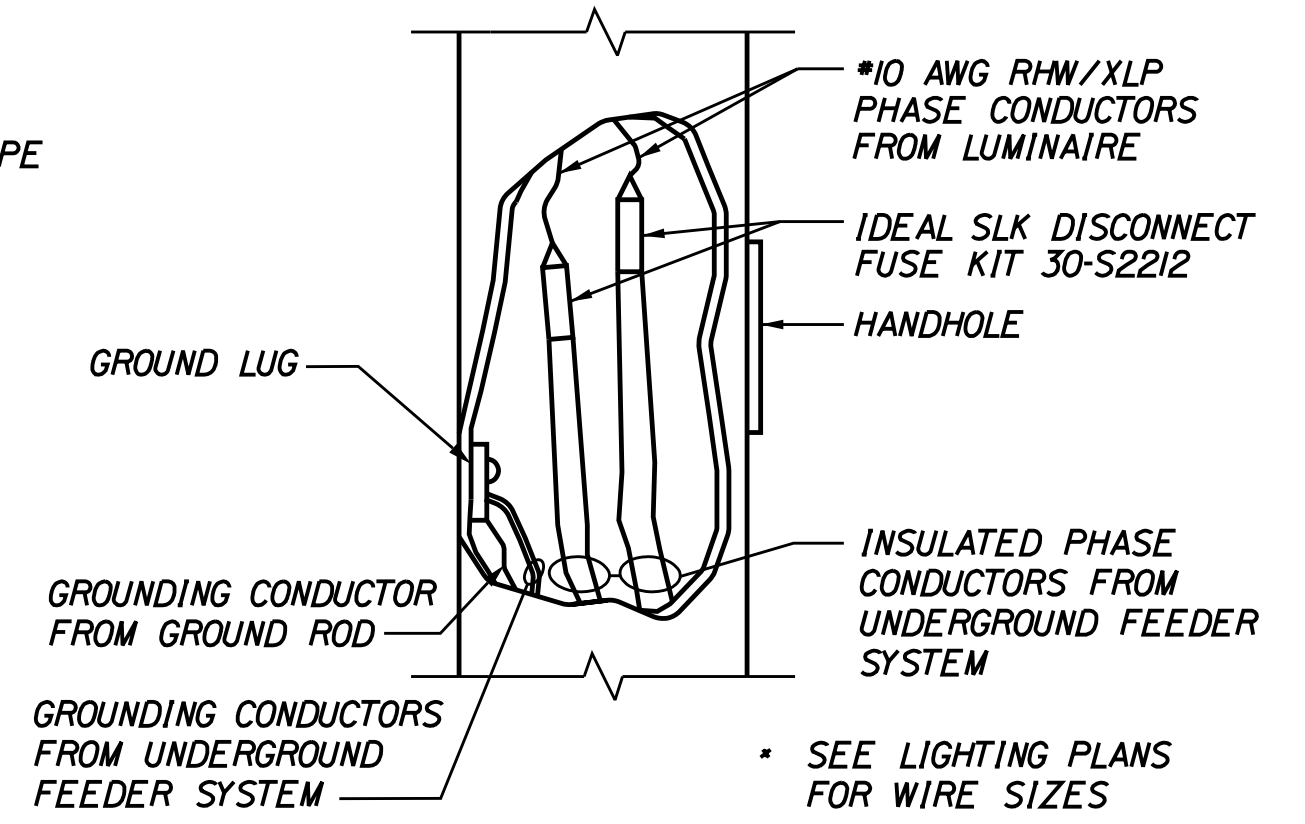


**TRENCH CROSS SECTION**  
 NOT TO SCALE



- NOTES:
- SPLICES IN BOX SHALL BE MADE WITH 1LSCP USPA-350-SS-DB SAFETYSUB WATER TIGHT DIRECT BURY SPLICE WIRE RANGE 350MCM-10-STR, ONLY. PROVIDE ENOUGH SLACK IN THE WIRE TO ALLOW REMOVAL OF SPLICES AND NEATLY ARRANGE WIRE IN BOX.
  - PROVIDE 12\"/>

**QUAZITE JUNCTION BOX (18X11) DETAIL**  
 NOT TO SCALE



**TYPICAL POLE WIRING DETAIL**  
 NOT TO SCALE

Filename: ...098 - Typical\_01\_Lighting.dgn

Scale: AS NOTED			
No.	Revision	By	Date
Δ	ADDENDUM 3	CSM	7/21

Designed by:

**JACOBS**

CONSULTANT PROJECT MANAGER: T. MORIN

Designed	PV	06-21	Checked	DB	06-21
Drawn	EFG	06-21	In Charge of	TWM	06-21

JACOBS ENGINEERING GROUP  
 120 ST. JAMES AVENUE  
 BOSTON, MA. 02116  
 TEL (617) 242-9222  
 FAX (617) 242-9824

**MAINE TURNPIKE**

**THE GOLD STAR MEMORIAL HIGHWAY**

MTA PROJECT MANAGER: R. NORWOOD

YORK TOLL PLAZA DEMOLITION

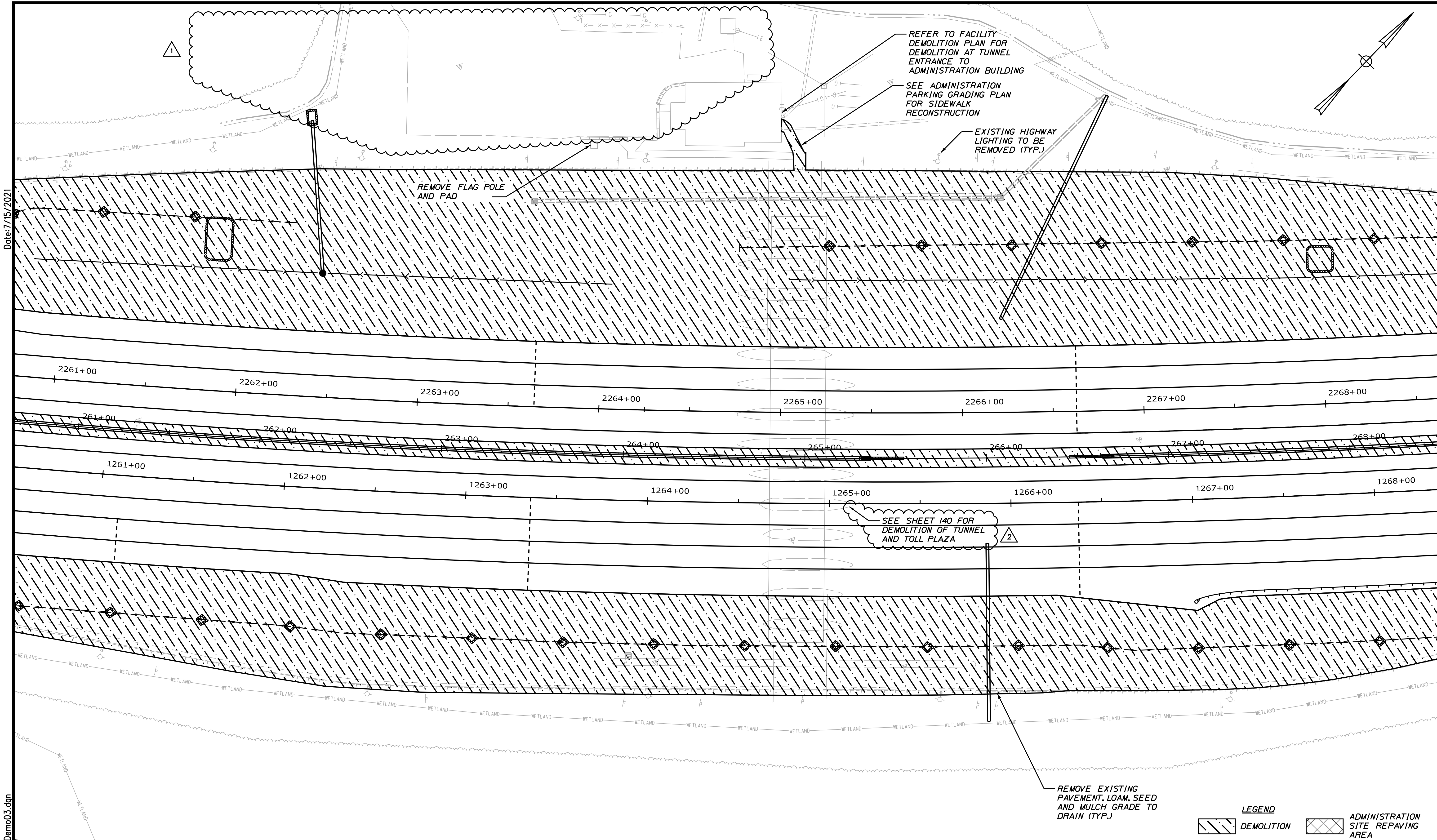
LIGHTING DETAILS

SHEET NUMBER: LT-06

CONTRACT: 2021.05

98 OF 149





Date: 7/15/2021

Filename: ...0477976\146\_Demo03.dgn

Scale:

No.	Revision	By	Date
1	ADDENDUM 2	DLR	7/21
2	ADDENDUM 3	DLR	7/21

Designed by:

**SEBAGO**  
TECHNICS  
WWW.SEBAGOTECHNICS.COM

CONSULTANT PROJECT MANAGER: S. SAWYER, P.E.

	By	Date	By	Date	
Designed	DLR	03-21	Checked	DLR	03-21
Drawn	NLC	03-21	In Charge of	DLR	03-21

SEBAGO TECHNICS  
75 JOHN ROBERTS ROAD,  
SUITE 4A  
SOUTH PORTLAND, ME 04106  
TEL (207) 200-2100

THE GOLD STAR  
MEMORIAL HIGHWAY

MTA PROJECT MANAGER: R. NORWOOD

YORK TOLL PLAZA DEMOLITION  
SITE DEMOLITION #3

SHEET NUMBER: DM-03  
146 OF 149

CONTRACT: 2021.05

SPECIAL PROVISION

SECTION 202

REMOVING STRUCTURES AND OBSTRUCTIONS

(Removing Asbestos Containing Materials)

202.01 Description

The following paragraphs are added:

The work shall also consist of removing and disposing of all asbestos containing materials (ACM) identified in the Hazardous Building Material inspection prior to the demolition of the existing York Toll Plaza toll booth infrastructure.

The work shall also consist of removing and disposing of suspected asbestos containing materials consisting of toll booth transite countertops, gypsum board joint compound, caulk (gray), and damp proof coating of the Administration building foundation. The Administration building work consists of removal and disposal of materials impacted by tunnel closure wall construction only. Table 1 of Appendix A within the Hazardous Building Material inspection report includes a list of ACBM and accessible asbestos identified in the building, EPA category listings, and asbestos content. A listing of the different homogenous groups of suspect material identified, samples collected, and analytical results is included in Appendix A within the Hazardous Building Material inspection report.

All asbestos containing materials shall be removed by a licensed asbestos abatement Contractor prior to the general demolition of the identified structures. All asbestos containing materials shall be disposed of at licensed asbestos containing material disposal sites in compliance with current EPA and MaineDEP regulations. The Contractor shall submit to the Resident the original disposal receipts acknowledging proper disposal of asbestos containing materials prior to the payment of Removing Asbestos Containing Material pay items.

All non-asbestos containing materials shall become the property of the Contractor and shall be removed from the site prior to the completion of the Project. The Contractor shall provide the Resident with an affidavit stating the final location of all disposed material and that the material was disposed of in accordance with the Maine Department of Environmental Protection Solid Waste Regulations.

202.021 Removing Asbestos Containing Materials

The Maine Turnpike Authority had a Hazardous Building Material Survey performed at the York Toll Plaza in February 2016. The location of asbestos is documented in **Appendix A – York Toll Plaza Building Survey Findings Report**, dated February 16, 2016. The Hazardous Building Material Survey is not intended to be used as an abatement specification or work plan.

The Hazardous Building Material Survey did not include demolition of the structure or equipment to locate asbestos containing materials. Should additional suspect asbestos containing materials be observed during the demolition process, the provisions of Special Provision Subsection 105.2.4.3 shall apply.

SPECIAL PROVISION

SECTION 645

HIGHWAY SIGNING

(Remove and Reset Sign)  
(Remove and Stack Sign)  
(Remove and Dispose Sign)

645.07 Demounting and Reinstalling Existing Signs and Poles

The following paragraphs are added:

At locations noted on the Plans, existing ground-mounted signs are designated to be removed and reset. This work shall consist of removing the sign panels, removing and resetting or disposing of the existing wood post and resetting the sign panels on a new wood post if required in the appropriate specified location. The Resident will determine if a new wood post is required.

At locations as shown on the Plans, existing ground-mounted signs and overhead mounted signs are designated to be removed and stacked. This work shall consist of removing and delivering existing sign panels, posts, concrete foundations, steel bridge sign supports and breakaway devices to the MTA Sign Shop at Mile 58 NB. All aluminum sign support structures shall be disposed of by the Contractor.

Bridge mounted signs noted as removed and stacked shall include cutting and terminating electrical connection to a junction box on the bridge for future use.

All other signs shown to be removed or removed and disposed (signs less than 12 feet wide) shall consist of demounting and removing the existing sign panels and disposing by the Contractor. Steel supports, precast foundations in good condition, and breakaways that are removed with signs that are removed and disposed shall be stacked in the same manner as supports for signs that are removed and stacked. Other foundations shall be disposed of by the contractor

Excavations shall be backfilled and ground restored to the satisfaction of the Resident. Existing foundations for overhead sign structures shall be abandoned by removing the foundation to 6 inches below finished grade and disposed.

Any existing signs not shown on the Plans are to remain in their existing condition unless directed otherwise by the Resident.

645.08 Method of Measurement

The following sentences are added:

Removing and Resetting existing ground-mounted signs shall be measured as complete unit each, removed, reset and accepted.

Removing and Resetting of existing DMS Signs shall be coordinated with the MTA and the 8.8 Toll Plaza contractor.